



TORMAX

AUTOMATIC

TTX-II

PARTS CATALOGUE

TORMAX TECHNOLOGIES

11803 STARCREST DR
SAN ANTONIO, TX 78247
(210) 494-3551
(210) 494-5930 [FAX]

v1.04



141022-UL
 TTX II COMPLETE OPERATOR
 US800916
 TTX II REBUILT OPERATOR (IN WARRENTY)



404762
 TTX II REPLACEMENT MOTOR



404792
 TTX II REPLACEMENT CONTROLLER



406079
 TTX II COMMUNICATION LINK V1.4
 (SIM PR & DBL EGRESS APPLICATION)



US800341
 OLD STYLE TTX II 3-POSITION DPDT
 ON/OFF/HO SWITCH WITH HARNESS
 (ONLY USED WITH DPDT RELAY, SIDE LOAD)



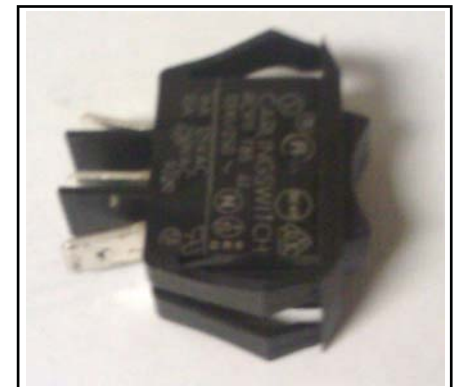
141154
 TTX I/II ON/OFF/HOLD OPEN
 SWITCH WITH HARNESS
 (SIDE LOAD)



US800714 - TTX II ON/OFF/HO
 SWITCH ASSEMBLY (BOTTOM LOAD)
 US800713 - TTX II ON/OFF/HO
 SWITCH ONLY (BOTTOM LOAD)



140498
 OLD STYLE TTX II 3-POSITION
 DPDT ON/OFF/HOLD OPEN SWITCH
 (ONLY USED WITH DPDT RELAY, SIDE LOAD))

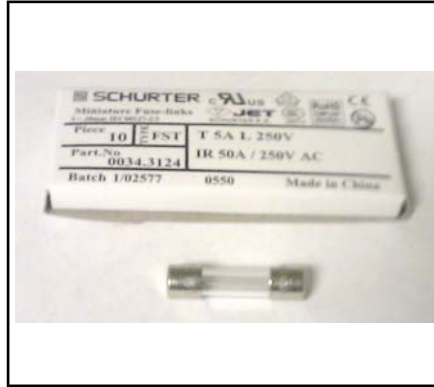


140196
 TTX II ON/OFF/HOLD OPEN
 ROCKER SWITCH
 (SIDE LOAD)

★★★★★
TORMAX
 AUTOMATIC



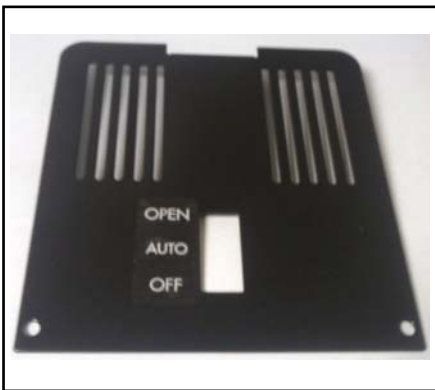
US800712
 TTX II ENCODER EXTENSION
 HARNESS ASSEMBLY (BOTTOM LOAD)



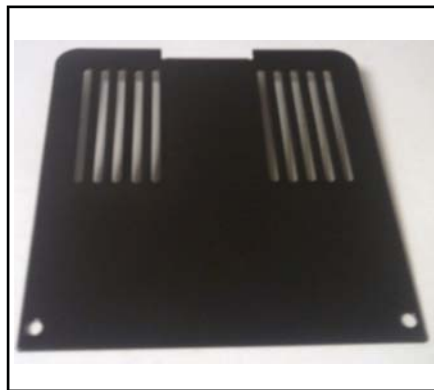
332362
 TTX II FUSE T5A -
 CONTROLLER (10 PER PKG)



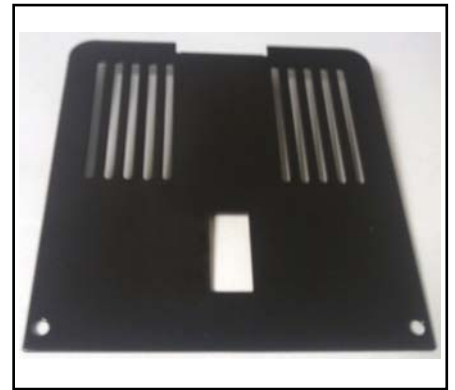
141047
 TTX II MOTOR "V" BELT



US800443
 TTX II END W/ DPDT SWITCH CUTOUT
 (SIDE LOAD)



140880
 TTX I/II HEADER END CAP
 (W/O SWITCH CUT-OUT, BLACK)
 (SIDE LOAD)



140881
 TTX I/II HEADER END CAP
 (WITH SWITCH CUT-OUT, BLACK)
 (SIDE LOAD)



141152
 TTX II OPERATOR CLAMP
 (SIDE LOAD)



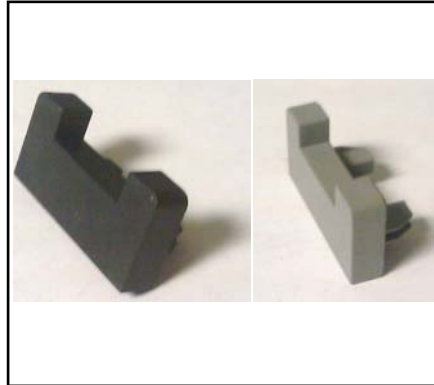
141153
 TTX II RUBBER ISOLATION PAD -
 OPERATOR CLAMP (SIDE LOAD)



111165
 24VDC DPDT RELAY
 (TTX BODYGUARD & PR APPL.)



JEP.0002
 TTX II POWER SUPPLY
 (BOTTOM & SIDE LOAD)



US801305 - BLACK CAP
 US801304 - GRAY CAP
 TTX II END CAP -
 INSWING SLIDE TRACK



140841
 TTX II POWER CORD
 (BOTTOM LOAD)



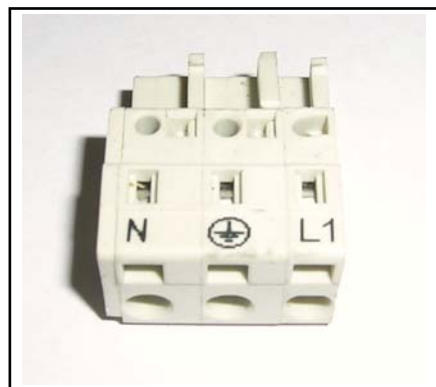
141151
 TTX II PLASTIC SPINDLE RING -
 SPINDLE CUTOUT (SIDE LOAD)



141150
 TTX II PLASTIC COVER PLATE -
 DUMMY SPINDLE CUTOUT
 (SIDE LOAD)



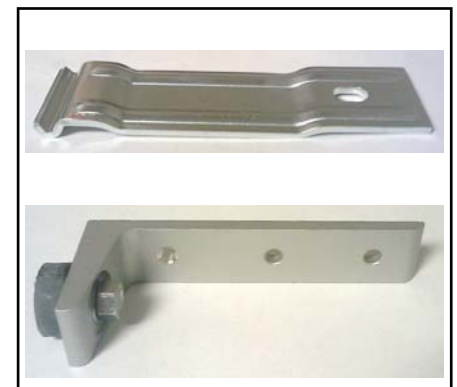
US800703 - PC BOARD STAND OFFS
 US800711 - NYLON HOLE PLUG
 (BOTTOM LOAD)



140676
 MAINS POWER PLUG



US800588
 STATIC DRAIN HARNESS ASSY.
 (BOTTOM AND SIDE LOAD)



US800477 - TTX II CHASSIS
 BRACKET (BOTTOM LOAD)
 110743 - TTX DOOR STOP
 ASSEMBLY (CLEAR FINISH)

★★★★★
TORMAX
 AUTOMATIC



US800694 - BLACK COVER
 US801300 - GREY COVER
 TTX II INSWING DOOR ARM SLIDE
 BLOCK ASSEMBLY



US801290 - BLACK COVER
 US801291 - GREY COVER
 TTX II OUT DOOR ARM
 ATTACHMENT BRACKET C/W COVER



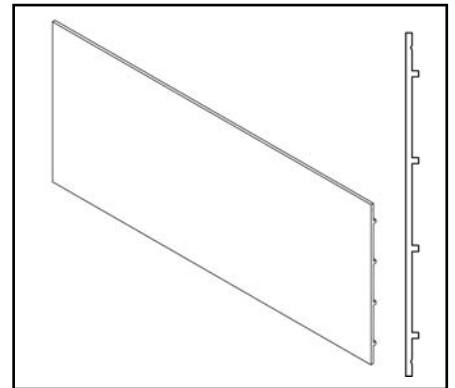
US801303 - BLACK COVER
 US801302 - GREY COVER
 TTX II INSWING DOOR ARM
 SLIDE BLOCK ASSY C/W COVER



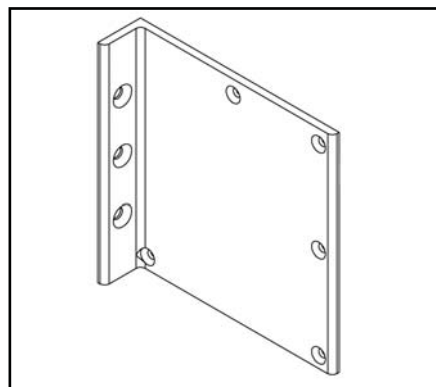
US801301
 TTX II SLIDE BLOCK PLASTIC INSERT
 (INSWING DOOR ARM)



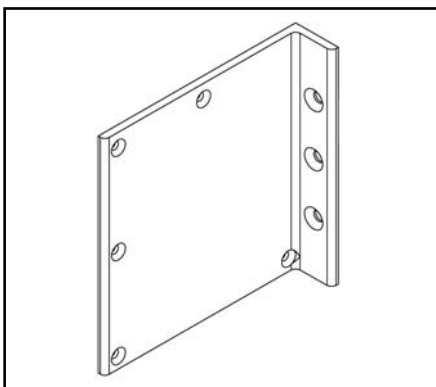
US801292 - BLACK FINISH
 US801293 - CLEAR FINISH
 TTX II DOOR TRACK (25 1/32")



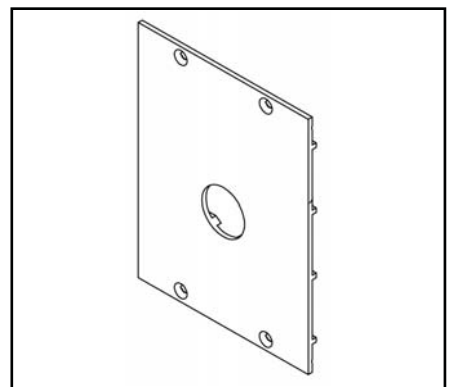
US800474-01 (CLEAR FINISH)
 US800474-02 (DARK BRONZE)
 EXT TTX II COVER PLATE - PER/FT
 (SIDE LOAD)



US800701-01 (CLEAR FINISH)
 US800701-02 (DARK BRONZE)
 TTX II LEFT-HAND END BRACKET
 (BOTTOM LOAD)



US800702-01 (CLEAR FINISH)
 US800702-02 (DARK BRONZE)
 TTX II RIGHT-HAND END BRACKET
 (BOTTOM LOAD)



US800470-01 (CLEAR FINISH)
 US800470-02 (D.B. FINISH)
 TTX II BOTTOM LOAD
 SPINDLE COVER PLATE

★★★★★
TORMAX
 AUTOMATIC



US800715
 TTX II DRIVE ARM SHAFT & SCREW -
 DOUBLE EGRESS OUT - 5.22"
 (BOTTOM LOAD)



141032
 TTX II DRIVE ARM SHAFT & SCREW
 STANDARD IN & OUT APPL. - 3.22"
 (SIDE LOAD)



US800704
 TTX II ARM SHAFT & SCREW
 STANDARD OUT/IN - 4.5"
 (BOTTOM LOAD)



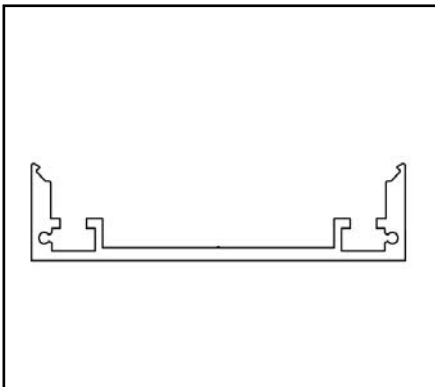
141020
 TTX II DRIVE ARM SHAFT & SCREW
 DBL EGR / DP REV IN - 2.65"
 (SIDE LOAD)



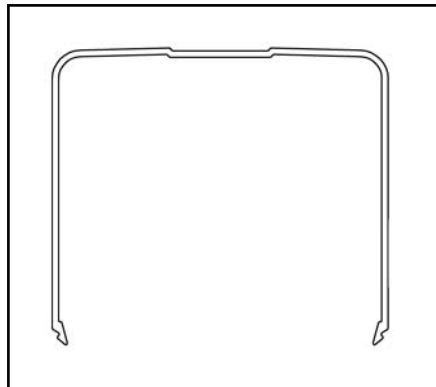
141106
 TTX II DRIVE ARM SHAFT & SCREW - 3.94"
 DOUBLE EGRESS OUT (SIDE LOAD)
 DOUBLE EGRESS IN (BOTTOM LOAD)



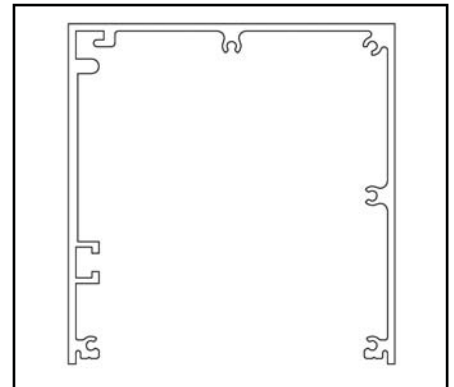
141205
 TTX II DRIVE ARM SHAFT & SCREW
 (SPECIAL APPLICATION 4.84")



140198-01288 (CLEAR)
 140198-02288 (DARK BRONZE)
 TTX BACKPLATE - PER/FT
 (SIDE LOAD)



140197-01288 (CLEAR)
 140197-02288 (DARK BRONZE)
 TTX COVER - PER/FT
 (SIDE LOAD)



US800473-01 (CLEAR FINISH)
 US800473-02 (DARK BRONZE)
 EXT TTX II HEADER - PER/FT
 (BOTTOM LOAD)



US800734 - DRESS PLATE SCREW
 FASTNER 6-32 x 3/8"
 FL HD THREAD FORMING MS
 (BLACK OXIDE, BOTTOM LOAD)



US800733 - DRESS PLATE SCREW
 FASTNER 6-32 x 3/8"
 FL HD THREAD FORMING MS
 (ZINC OXIDE, BOTTOM LOAD)



US800735 - END CAP SCREW
 FASTNER 10-24 x 3/4"
 FH PH THREAD RING MS
 (BLACK OXIDE, BOTTOM LOAD)



140737-03
 #8 X 1/2" LARGE PAN HEAD PH
 SHEET METAL COVER SCREW
 (ZINC FINISH, SIDE LOAD)



140737-04 - #8 X 1/2" LARGE
 PAN HEAD PH SHEET METAL
 END CAP & COVER SCREW
 (BLACK FINISH, SIDE LOAD)



US800706 - END CAP SCREW
 FASTNER 10-24 x 3/4"
 LG PH FL HD THREAD ROLLING ZP MS
 (ZINC OXIDE, BOTTOM LOAD)



140241-10
 5/16-18 HEX HD NUT
 FOR OPERATOR CLAMP
 (SIDE & BOTTOM LOAD)



140242-10
 5/16" SPLIT LOCK WASHER
 FOR OPERATOR CLAMP
 (BOTTOM LOAD)



140292-37 - 5/16-18 x 3/4" (SIDE LOAD)
 140240-11 - 5/16-18 x 5/8" (BOTTOM LOAD)
 LG. SOC HD OPERATOR CLAMP SCREW



408368 - CLEAR FINISH
 405068 - BLACK FINISH
 OUTSWING DOOR ARM ASSEMBLY
 (0" - 4³/₁₆" REVEAL)



408369 - CLEAR FINISH
 405648 - BLACK FINISH
 OUTSWING DOOR ARM ASSEMBLY
 (4¹/₈" - 9⁷/₈" REVEAL)



US801323 - CLEAR FINISH
 141195 - BLACK FINISH
 DBL EGRESS OUTSWING DOOR ARM
 ASSEMBLY (0" - 4³/₁₆" REVEAL)



US801324 - CLEAR FINISH
 141196 - BLACK FINISH
 DBL EGRESS OUTSWING DOOR ARM
 ASSEMBLY (4¹/₈" - 9⁷/₈" REVEAL)



US801325 - CLEAR FINISH
 141133 - BLACK FINISH
 RH INSWING DEEP REVEAL ARM
 AND TRACK ASSY (0" - 6" REVEAL)



US801327 - CLEAR FINISH
 141134 - BLACK FINISH
 LH INSWING DEEP REVEAL ARM
 AND TRACK ASSY (0" - 6" REVEAL)



408372 - CLEAR FINISH
 407456 - BLACK FINISH
 INSWING DOOR ARM AND SLIDE
 TRACK ASSEMBLY



US800021 - CLEAR FINISH
 US801501 - BLACK FINISH
 C-CHANNEL ARM EXTENSION
 (SPECIAL APPLICATION)



US801322
 BEA Br3 LOGIC MODULE
 (MC-LINX 2 REPLACEMENT)



US801296 - CLEAR FINISH
TTX II OUTSWING DOOR
ARM ADJ ELEMENT (0-4 3/16" REVEAL)



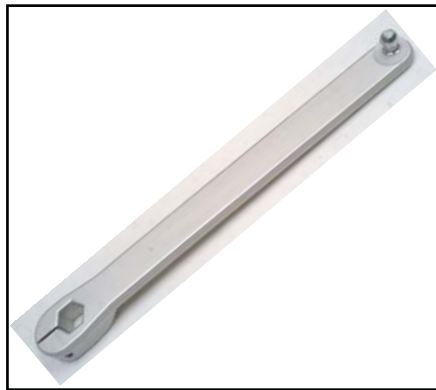
US801298 - BLACK FINISH
TTX II OUTSWING DOOR
ARM ADJ ELEMENT (0-4 3/16" REVEAL)



US801297 - CLEAR FINISH
TTX II OUTSWING DOOR
ARM ADJ ELEMENT (4 1/8 - 9 7/8" REVEAL)



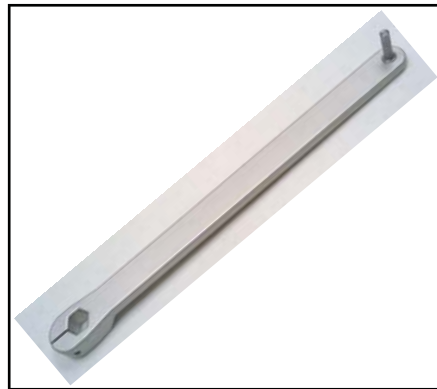
US801299 - BLACK FINISH
TTX II OUTSWING DOOR
ARM ADJ ELEMENT (4 1/8 - 9 7/8" REVEAL)



US801306 - CLEAR FINISH
TTX II OUTSWING DOOR
DRIVE ARM LEVER



US801307 - BLACK FINISH
TTX II OUTSWING DOOR
DRIVE ARM LEVER



US801294 - CLEAR FINISH
TTX II INSWING DOOR
DRIVE ARM LEVER



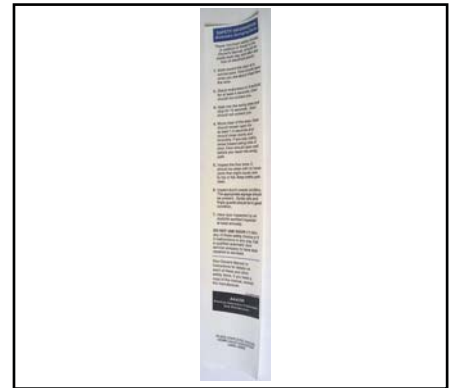
US801295 - BLACK FINISH
TTX II INSWING DOOR
DRIVE ARM LEVER



US800444
 OPEN/AUTO/OFF
 LABEL FOR SWITCH



390.9359 - TORMAX LOGO DECAL
 140284 - AUTO DR ACT SW TO OP



US800865
 LOW ENERGY SAFETY CHECK
 DECAL FOR SWING DOORS



140290 - PULL/PUSH TO OPERATE
 140291 - PUSH/PULL TO OPERATE



141031
 EXIT - ONE WAY
 2 SIDED WINDOW DECAL



140283
 AUTOMATIC DOOR CAUTION
 US801204
 ADA ACCESSIBLE DECAL



121034
 TTX II INSTALLATION
 & DECAL PACKAGE - PAIR APPL.
 (ASSEMBLY AVAILABLE)



121033
 TTX II INSTALLATION
 & DECAL PACKAGE - SINGLE APPL.
 (ASSEMBLY AVAILABLE)



141030
 ENTER ARROW - ONE WAY
 US801470
 BI-DIRECTION ARROW